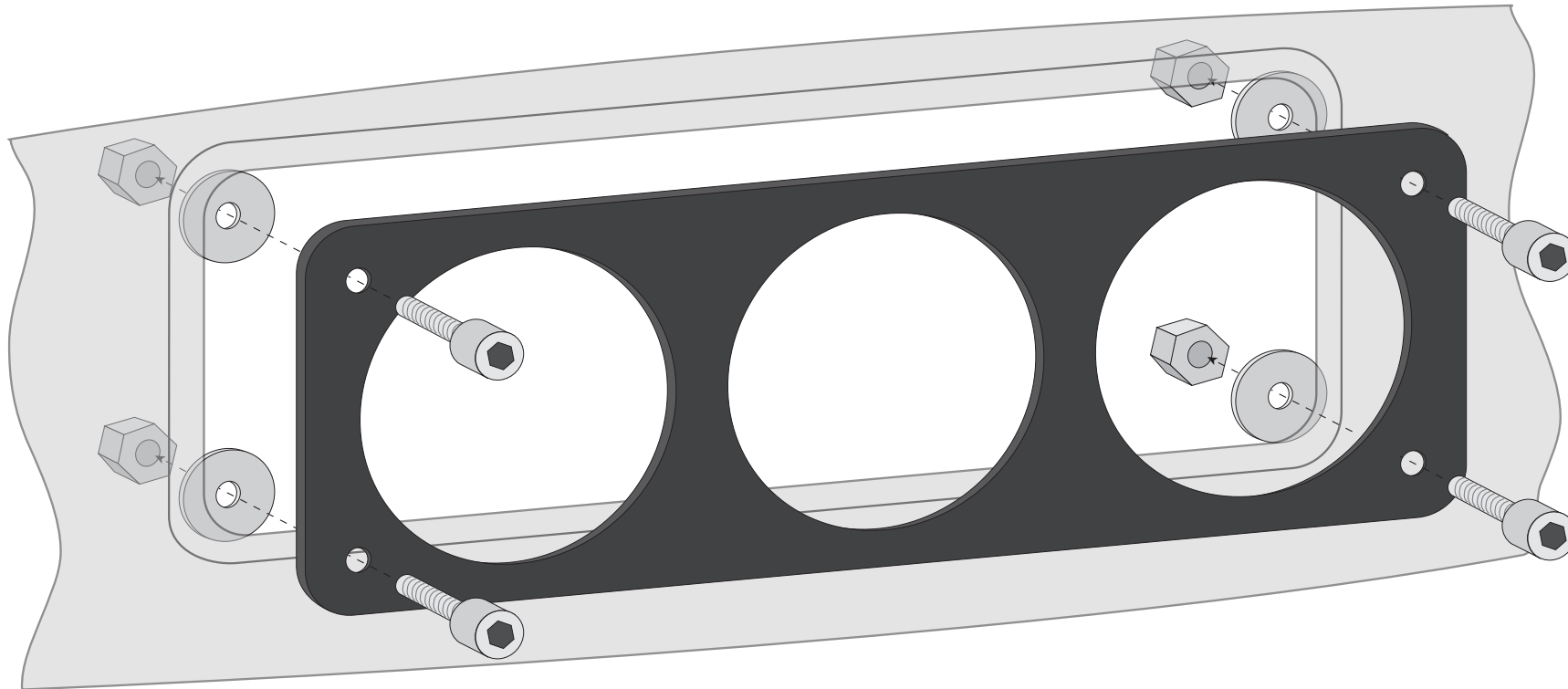


# FITTING GUIDE

3 Gauge mounting plate (replaces radio blanking plate)  
Plain/Black Wrinkle/Chrome



Place the plate into position in your dashboard.

One at a time pass the bolts through the corner holes.

Place the washers over the ends BEHIND the dash and then finger tighten a nut into place on each bolt to sandwich the dash between plate and washer.

Check alignment of the gauge plate and then tighten the nuts home with a spanner.



[www.clementandboggis.co.uk](http://www.clementandboggis.co.uk)